

b79



Quick Start Guide

bernette

SWISS DESIGN

IMPORTANT SAFETY INSTRUCTIONS

Observe the following basic safety instructions when using your machine. Before using this machine, read instruction manual carefully.

DANGER!

To reduce the risk of electrical shock:

- Never leave the machine unattended as long as it is plugged in.
- Always unplug the machine from the electrical outlet immediately after using.

Protection against LED radiation:

- Do not view the LED light directly with optical instruments (e.g. magnifier). The LED light corresponds with protection class 1M.
- When the LED light is damaged or defective, contact your bernette specialist dealer.

WARNING

To reduce the risk of burns, fire, electric shock or injury to persons:

- To operate the machine always use the supplied power cable. USA and Canada only: Do not connect power plug NEMA 1-15 to circuits exceeding 150 volt-to-ground.
- Use this machine only for purposes as described in this manual.
- Only use the machine in dry rooms.
- Do not use the machine in a damp condition or in a damp environment.
- Do not use this machine as a toy. Close attention is necessary when this machine is used by or near children.
- The machine can be used by children older than 8 or by people with reduced physical, sensory or mental capabilities or if there is a lack of experience and knowledge how to operate the machine as long as they are supervised or have been given instruction concerning the responsible use of the appliance and are aware of the involved risks.
- Children are not allowed to play with this machine.
- Cleaning and maintenance work must not be carried out by children unless they are supervised.
- Never operate this machine if it has a damaged cord or plug, if it is not working properly, if it has been dropped or damaged, or dropped into water. Contact the nearest authorized bernette dealer to arrange further details.
- Only use accessory recommended by the manufacturer.
- Don't use this machine when the ventilation openings are blocked. Keep the ventilation openings and the foot control free from the accumulation of lint, dust and loose cloth.
- Never insert any objects into any openings of the machine.
- Do not place any objects on the foot control.
- Always use the machine with a foot control of this type FC-210.
- Do not operate the machine where aerosol products (sprays) or oxygen are being used.
- Keep fingers away from all moving parts. Special care is required around the needle.
- Neither pull nor push the fabric while sewing. This can cause needle breakage.
- When making any adjustments in the needle area – such as such as threading the needle, changing the needle, threading the hook or changing the presser foot – turn power switch to «0».
- Do not use bent needles.
- Always use the original bernette stitch plate. The wrong stitch plate can cause needle breakage.

- To disconnect, turn power switch to «0» and then remove the plug from the outlet. Do not unplug by pulling the cord, instead grasp the plug to pull it from the outlet.
- Always disconnect the power plug from the electrical outlet when the covers are removed or opened, when the machine is lubricated or during any other maintenance adjustments mentioned in the instruction manual.
- This machine is provided with double insulation (except USA, Canada and Japan). Use only identical replacement parts. See instructions for Servicing of double-insulated products.
- The sound pressure level is lower than 70 dB(A) under normal conditions.

Important information

Availability of the instruction manual

The quick start guide is part of the machine.

- Keep the quick start guide of the machine in a suitable place near the machine and have it ready for reference.
- A detailed instruction manual can be downloaded from www.mybernette.com.
- When passing on the machine to a third party, enclose the quick start guide of the machine.

Proper use

Your bernette machine is conceived and designed for private household use. It answers the purpose to quilt fabrics as it is described in this instruction manual. Any other use is not considered appropriate. BERNINA assumes no liability concerning consequences resulting from an inappropriate usage.

Maintenance of double-insulated products

In a double-insulated product two systems of insulation are provided instead of grounding. No grounding means is provided on a doubleinsulated product, nor should a means for grounding be added to the product. Servicing a double-insulated product requires extreme care and knowledge of the system and should be done only by qualified service personnel. Replacement parts for a double-insulated product must be identical to the original parts in the product. A double-insulated product is marked with the words: "double insulation" or "double-insulated".



The symbol may also be marked on the product.

Protection of the environment



BERNINA is committed to the protection of the environment. We strive to minimize the environmental impact of our products by continuously improving product design and our technology of manufacturing.

The machine is labeled with the symbol of the crossed-out wastebin. This means that the machine must not be disposed of with the household waste when the machine is no longer needed. Improper disposal can result in dangerous substances getting into the groundwater and thus into our food chain, damaging our health.

The machine must be returned free of charge to a nearby collection point for waste electrical and electronic equipment or to a collection point for the reuse of the machine. Information on the collection points can be obtained from your local administration. When purchasing a new machine, the dealer is obliged to take back the old machine free of charge and dispose of it properly.

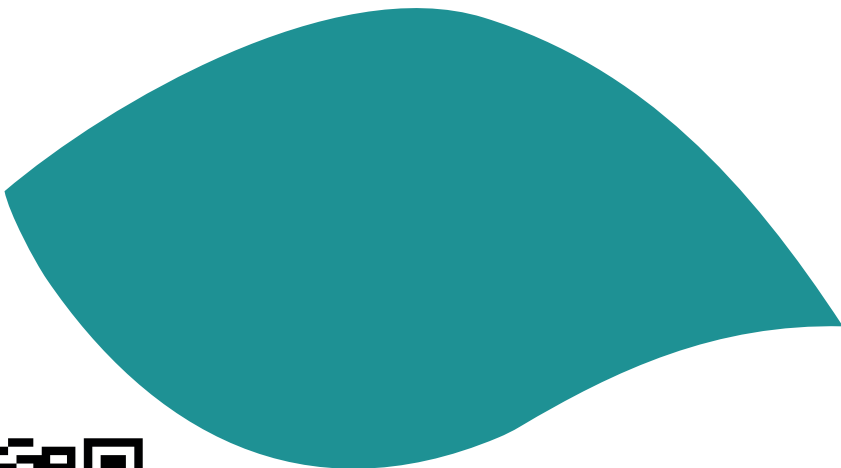
If the machine contains personal data, you are responsible for deleting the data yourself before returning the machine.

Content

Overview Front Controls	6
Overview Machine Front	7
Overview Machine Top	8
Overview Machine Back	8
Connection and Switching On	9
Winding the Bobbin Thread	9
Threading the Bobbin Thread.....	10
Threading the Upper Thread	10
Overview Selection Menu.....	12
Changing the Presser Foot	12
Attaching the Embroidery Foot	13
Attaching the Embroidery Module	13
Attaching the Stitch Plate.....	13
Selecting an Embroidery Design	14
Preparing the Embroidery Hoop	15
Cleaning the Hook.....	16
Oiling the Needle Bar	16
Troubleshooting.....	17



For complete instructions, you can link to the online user manual and how to videos www.mybernette.com/b79 or scan the QR-Code with your smart phone.



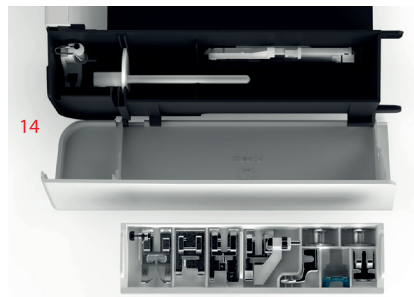
www.mybernette.com/b79

Overview Front Controls



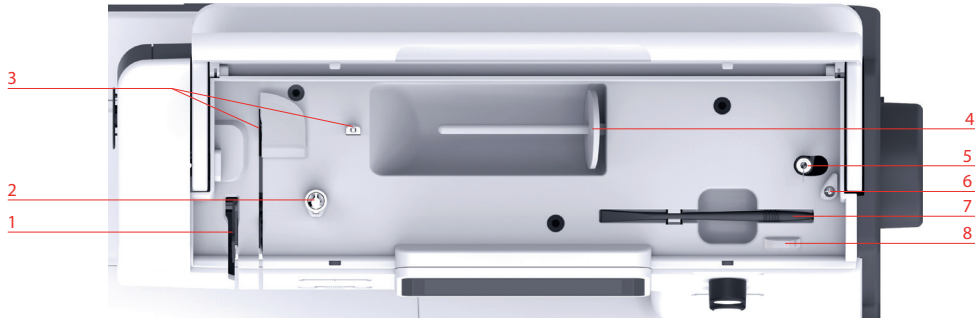
- | | | | |
|---|----------------------|----|---------------------------|
| 1 | Quick Reverse | 6 | Securing Stitches |
| 2 | Thread Cutter | 7 | Needle Up/Down |
| 3 | Presser Foot Up/Down | 8 | Upper Multi-function Knob |
| 4 | Start/Stop | 9 | Lower Multi-function Knob |
| 5 | Speed Control | 10 | Needle Left/Right |

Overview Machine Front



- | | | | |
|---|----------------------------------|----|---------------------------------|
| 1 | Feed Dog Lever | 8 | Buttonhole Lever |
| 2 | Connection for Embroidery Module | 9 | Thread Cutter |
| 3 | Bobbin Cover | 10 | Thread Take-up Lever |
| 4 | Stitch Plate | 11 | Top Cover |
| 5 | Presser Foot | 12 | LCD Display |
| 6 | Sewing Light | 13 | Connection for Free Hand System |
| 7 | Needle Threader | 14 | Sewing Table and Accessory Box |

Overview Machine Top



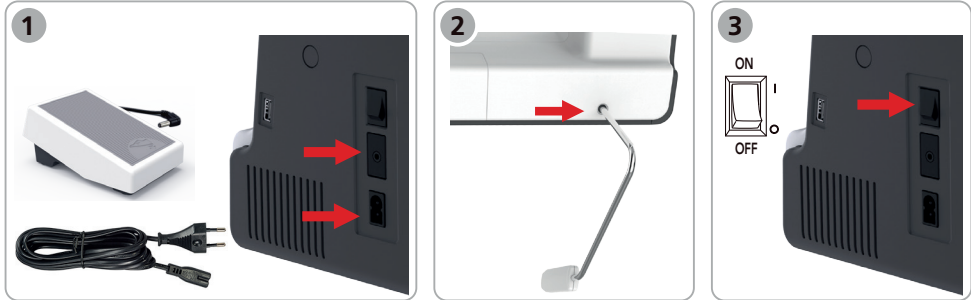
- | | | | |
|---|--------------------------|---|--|
| 1 | Thread Take-up Lever | 5 | Winding Unit and Holder for Second Spool Pin |
| 2 | Bobbin Winder Pretension | 6 | Stopper Winding Unit |
| 3 | Thread Guide | 7 | Touchscreen Pen |
| 4 | Spool Pin | 8 | Thread Cutter |

Overview Machine Back

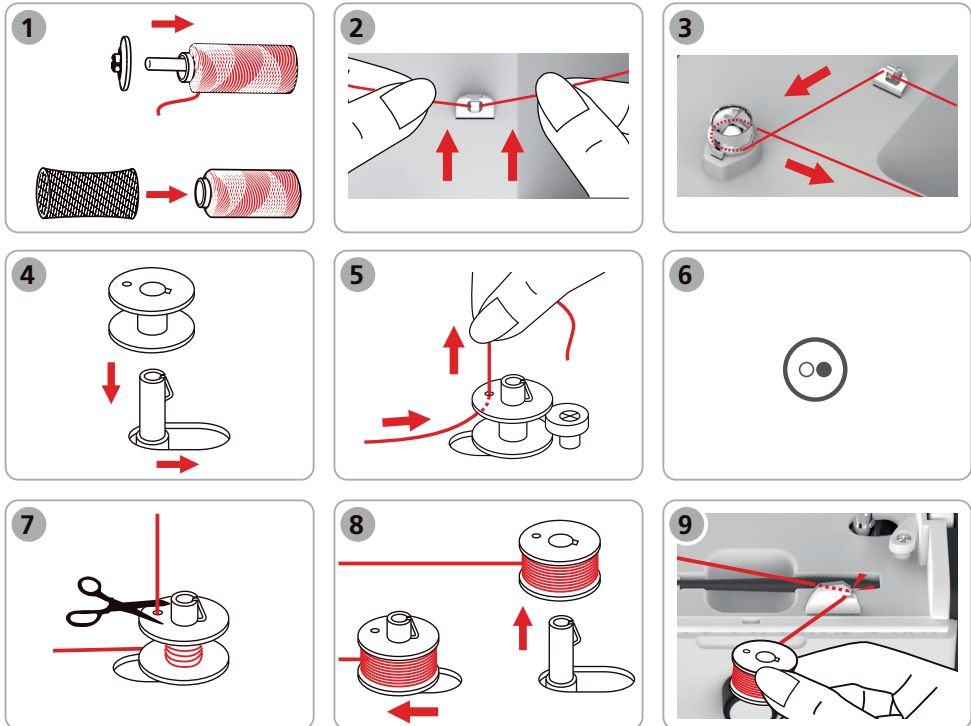
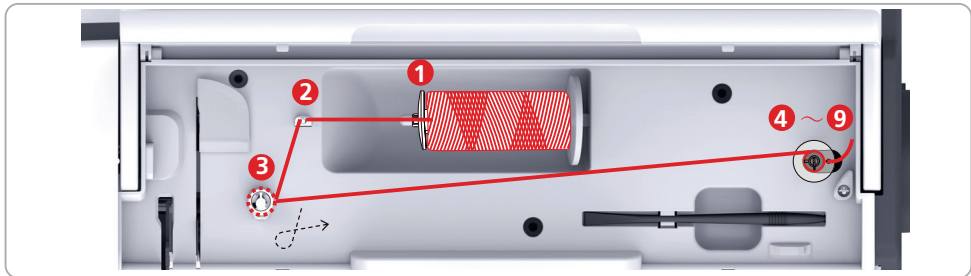


- | | | | |
|---|-----------------------------|----|--------------------------------|
| 1 | Connection for Power Cable | 6 | Handwheel |
| 2 | Air Vents | 7 | Carrying Handle |
| 3 | Connection for Foot Control | 8 | Air Vents |
| 4 | USB Port | 9 | Dual Feed |
| 5 | Power Switch | 10 | Sewing Table and Accessory Box |

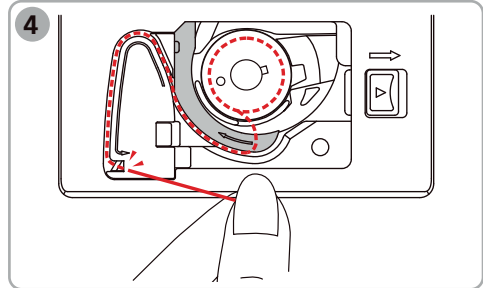
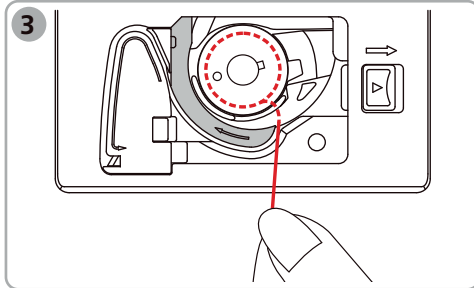
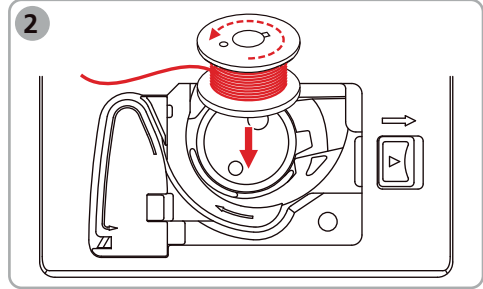
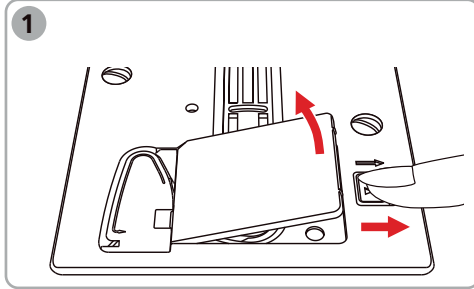
Connection and Switching On



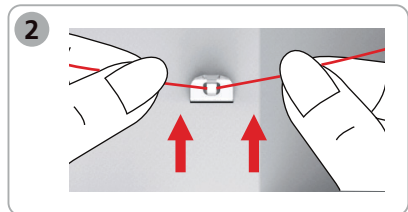
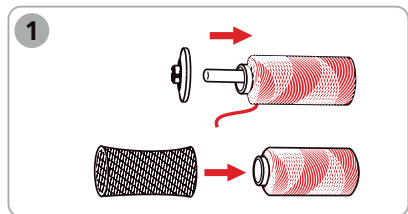
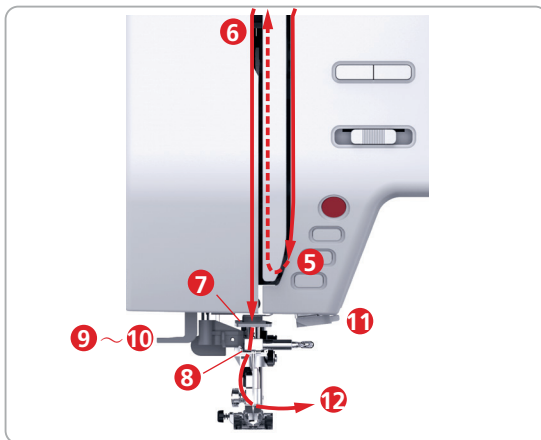
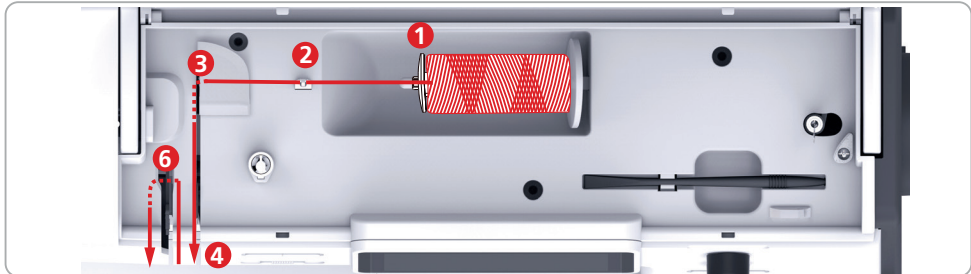
Winding the Bobbin Thread

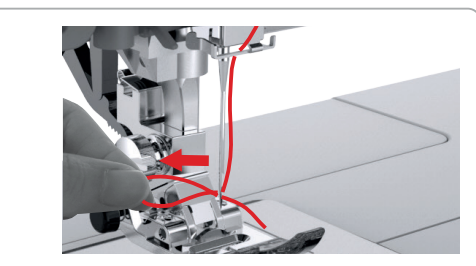
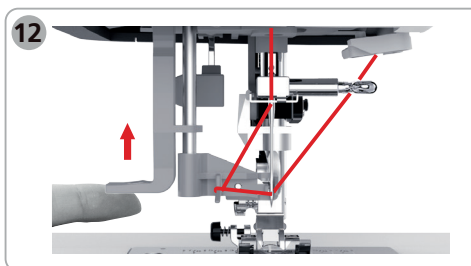
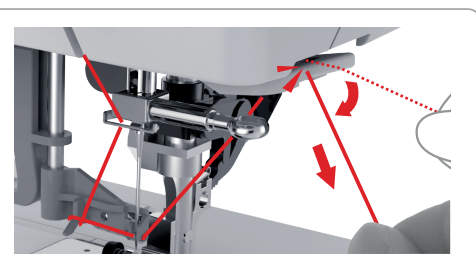
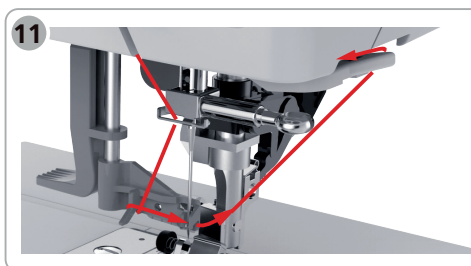
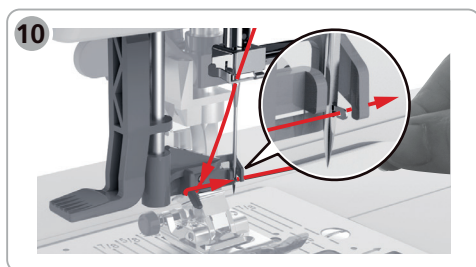
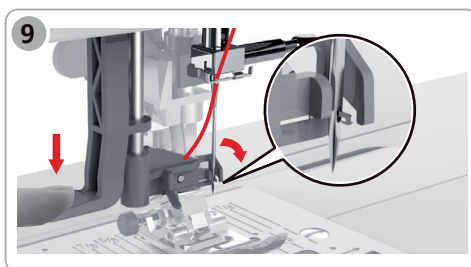
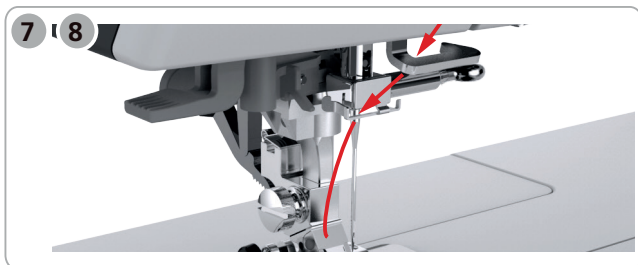
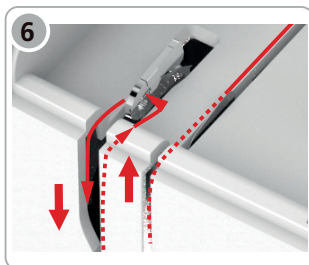
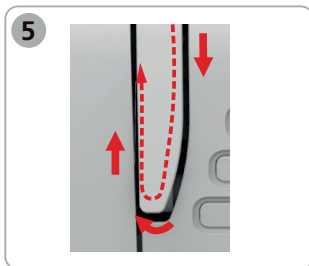
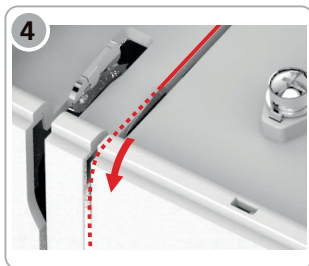
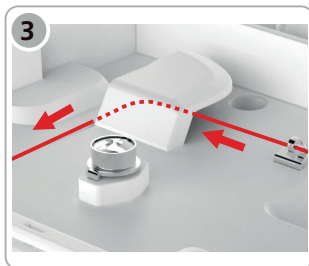


Threading the Bobbin Thread

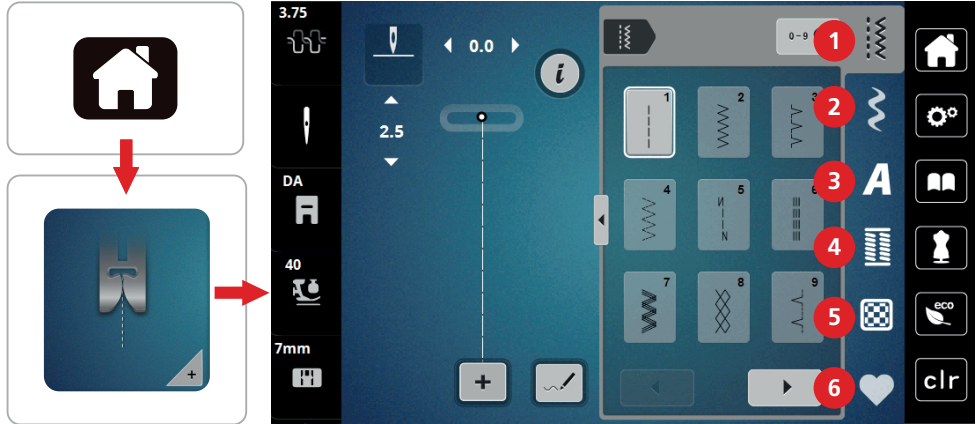


Threading the Upper Thread



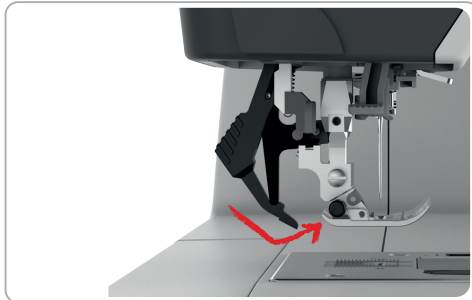
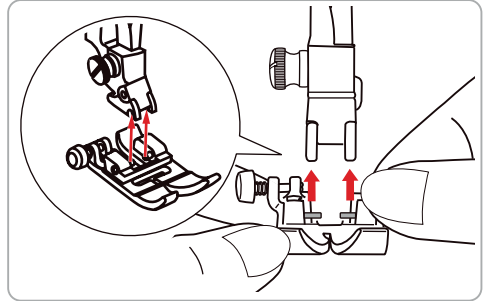
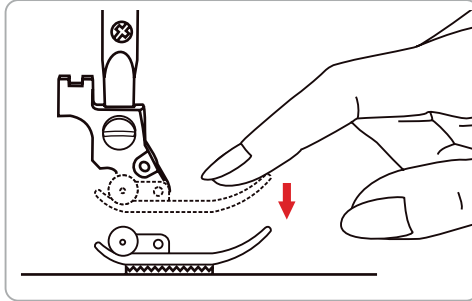


Overview Selection Menu

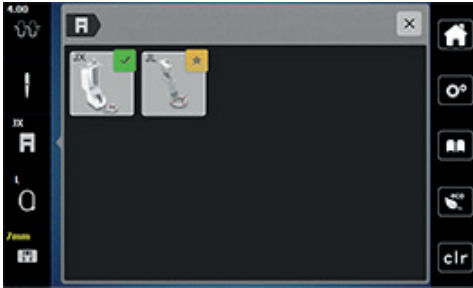
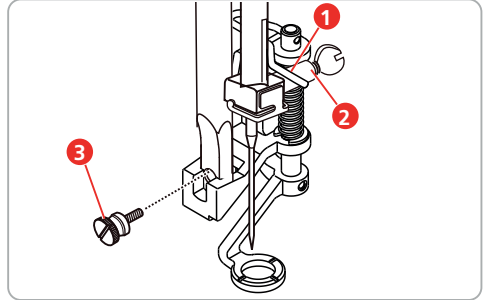
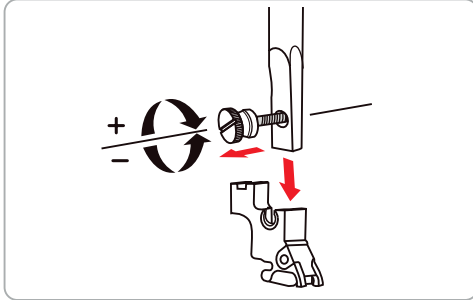


- | | | | |
|---|---------------------|---|-----------------|
| 1 | Practical Stitches | 4 | Buttonholes |
| 2 | Decorative Stitches | 5 | Quilt Stitches |
| 3 | Alphabets | 6 | Personal Memory |

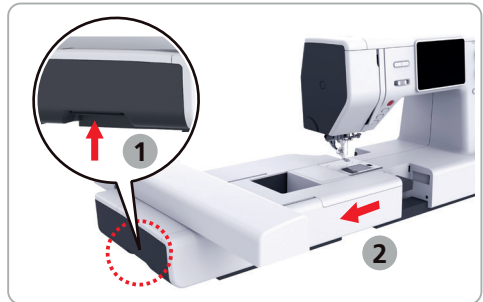
Changing the Presser Foot



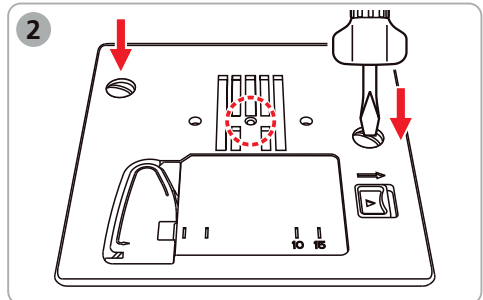
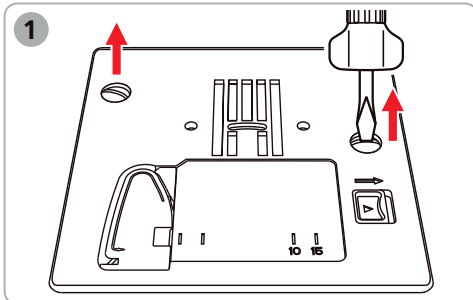
Attaching the Embroidery Foot



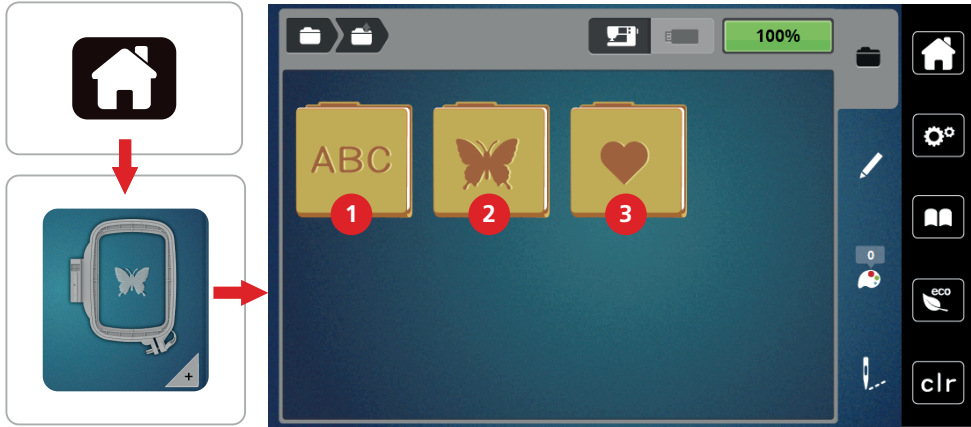
Attaching the Embroidery Module



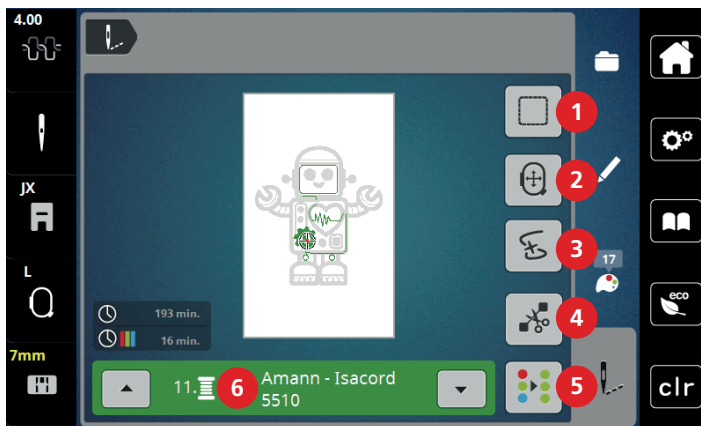
Attaching the Stitch Plate



Selecting the Embroidery Design

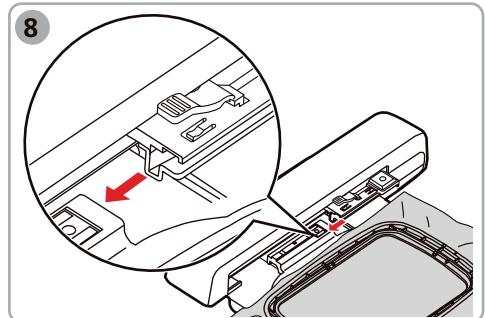
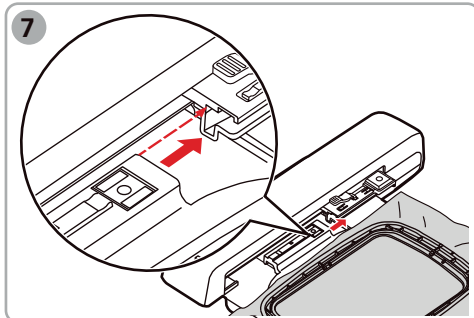
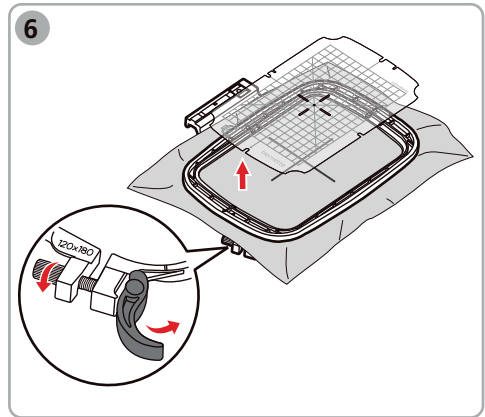
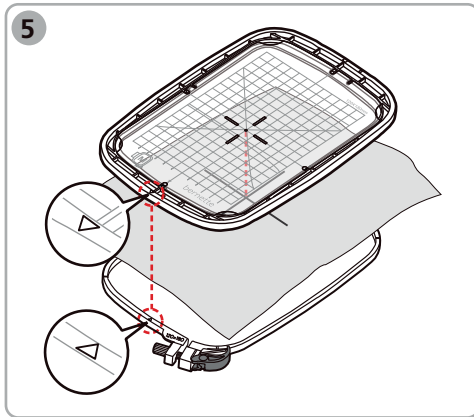
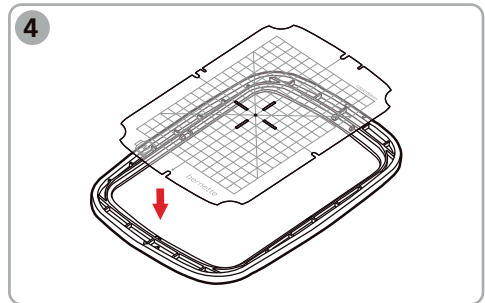
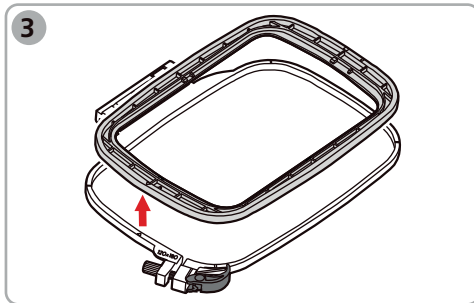
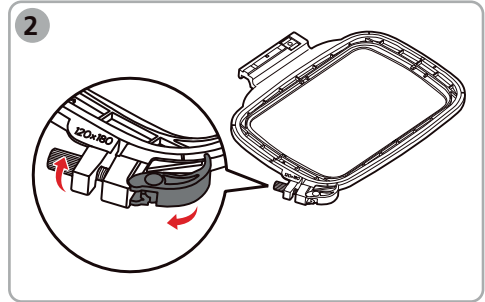
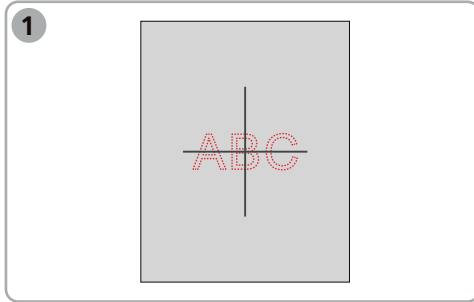


- 1 Embroidery Alphabets
- 2 Embroidery Design
- 3 Personal Embroidery Design

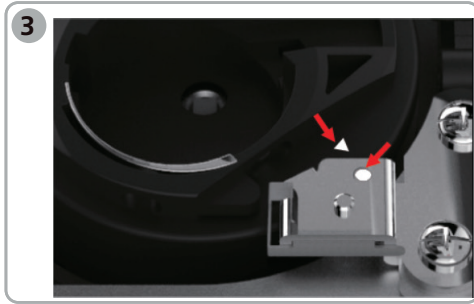
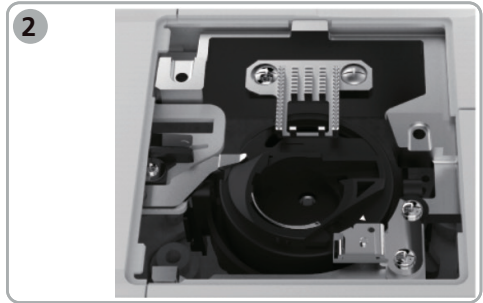
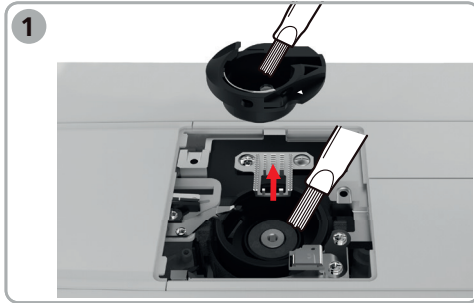


- 1 Basting
- 2 Moving the Hoop
- 3 Embroidery Sequence Control
- 4 Cut Connecting Stitches
- 5 Multi-colored Embroidery Design On/Off
- 6 Color Indication

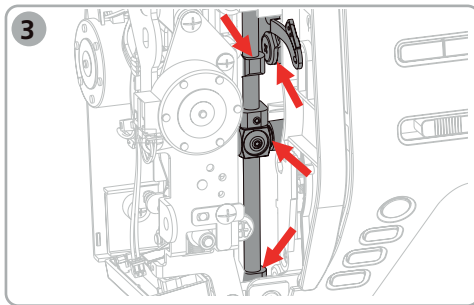
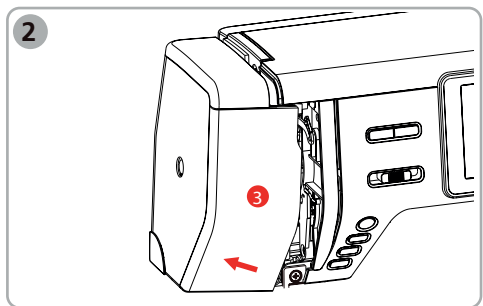
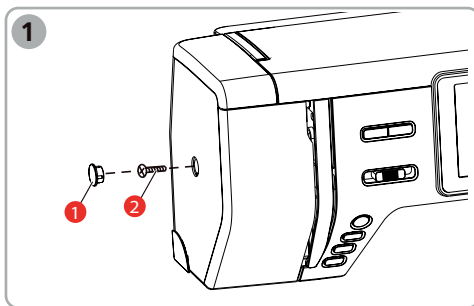
Preparing the Embroidery Hoop



Cleaning the Hook



Oiling the Needle Bar

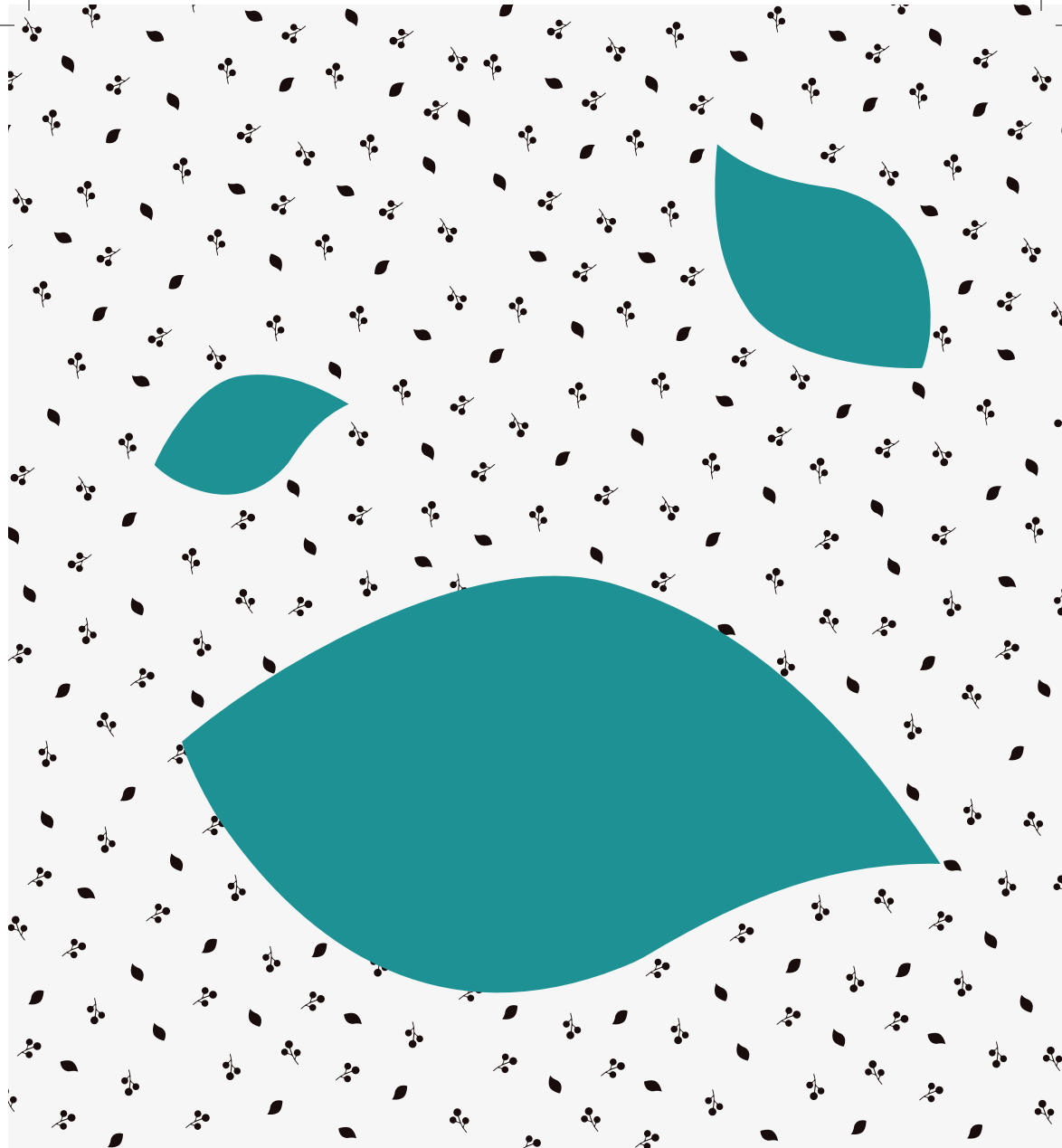


Troubleshooting

Fault	Cause	Solution
Uneven Stitch Formation	Upper thread too tight or too loose.	- Adjust the upper thread tension.
	Needle blunt or bent.	- Replace the needle, make sure that a new BERNINA quality needle is used.
	Poor quality needle.	- Use a new BERNINA quality needle.
	Poor quality thread.	- Use quality thread.
	Incorrect needle/thread combination.	- Match the needle with the thread size.
	Incorrectly threaded.	- Rethread.
	Fabric has been pulled. Dust or thread remnants under the tension spring of the bobbin case.	- Feed the fabric evenly. - Clean the hook.
Skipped Stitches	Incorrect needle.	- Use the needle system 130/705H.
	Needle blunt or bent.	- Replace the needle.
	Poor quality needle.	- Use a new BERNINA quality needle.
	The needle is incorrectly inserted.	- Insert the needle with the flat side to the back as far up as it will go into the needle holder and tighten the screw.
	Incorrect needle point.	- Match the needle point to the texture of the material.
Faulty Stitching	Thread remnants between the thread tension discs.	- Fold a piece of thin material and slide the folded edge (not the raw edges) between the thread tension discs.
	Incorrectly threaded.	- Rethread.
	Thread is caught in the hook.	- Remove the upper thread and the bobbin case, turn the handwheel backwards and forwards by hand and remove the thread remnants.
	Incorrect needle/thread combination.	- Check the needle/thread combination.
Upper Thread Breaks	Incorrect needle/thread combination.	- Match the needle with the thread size.
	Upper thread is too tight.	- Reduce the upper thread tension.
	Incorrectly threaded.	- Rethread.
	Poor quality thread.	- Use quality thread.
	The stitch plate or the hook tip is damaged.	- Contact a specialized bernette dealer to have the damages repaired. - Replace the stitch plate.

Lower Thread Breaks	The bobbin is not inserted correctly.	- Remove and reinsert the bobbin and pull on the thread. → The thread should run easily.
	The bobbin is wound incorrectly.	- Check bobbin and thread correctly.
	The stitch hole in the stitch plate is damaged.	- Contact a specialized bernette dealer to have the damages repaired. - Replace the stitch plate.
	Needle blunt or bent.	- Replace the needle.
Needle Breaks	The needle is incorrectly inserted.	- Insert the needle with the flat side to the back as far up as it will go into the needle holder and tighten the screw.
	Fabric has been pulled.	- Feed the fabric evenly.
	Thick fabric has been pushed.	- Use the appropriate presser foot, e.g. Jeans foot, for thick material. - Use the height compensating tool when sewing over a thick seam.
	Knotted thread.	- Use quality thread.
Display is Inactive	Incorrect calibrating data.	- Switch off the machine. - Switch on the machine, and simultaneously press and hold the buttons «Needle Position Right/Left». - Recalibrate the display.
	The eco Mode is active.	- Tap «Eco Mode».
Stitch Width Not Adjustable	The selected needle and stitch plate cannot be used in combination.	- Replace the needle. - Replace the stitch plate.
Speed Too Low	Unfavorable room temperature.	- Place the machine in a warm room one hour before use.
	Settings in the Setup Program.	- Adjust the sewing/embroidery speed in the Setup Program. - Adjust the slide.

The Machine doesn't Start	The machine is not switched on.	- Switch the machine on.
	The presser foot is raised.	- Lower the presser foot.
	The machine is not connected to the power supply.	- Connect the power plug to the supply.
	The machine is damaged.	- Contact the specialized bernette dealer.
The Light of the Button «Start-/Stop» doesn't Light Up	Light is defect.	- Contact the specialized bernette dealer.
Neither the Sewing Light Nor the Light on the Freearm Lights Up	Settings in the Setup Program.	- Activate it in the Setup Program.
	The sewing light is defect.	- Contact the specialized bernette dealer.
Upper Thread Indicator Fails to Respond	Settings in the Setup Program.	- Activate it in the Setup Program.
	The upper thread indicator is defect.	- Contact the specialized bernette dealer.
Bobbin Thread Indicator doesn't React	Settings in the Setup Program.	- Activate it in the Setup Program.
	The bobbin thread indicator is defect.	- Contact the specialized bernette dealer.
Error during Software Update	The update process is blocked and the hour-glass on the display is inactive.	<ul style="list-style-type: none"> - Remove the USB stick. - Switch off the machine. - Rename the firmware file from «.fw» to «.auto». - Insert the USB stick. - Switch on the machine. The update starts automatically.



www.mybernette.com/b79

5200079.10A.04 / 026CJB0123 (B) | en 2023-01
© BERNINA International AG
Steckborn CH, www.bernina.com