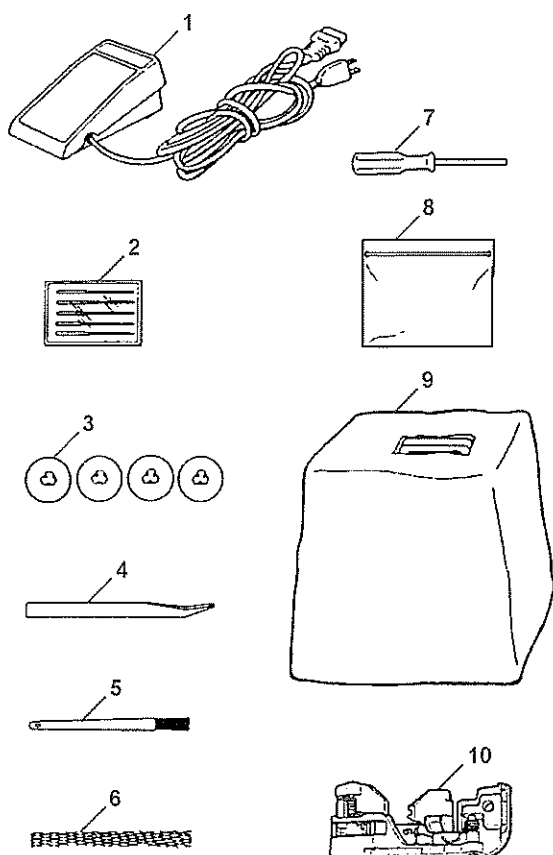


Details of the machine



Accessories

1. Electronic foot control
2. Needle set 130/705H
3. Spool caps
4. Tweezers
5. Brush/needle inserter
6. Net
7. Hexagonal screwdriver
8. Accessory bag
9. Dust cover
10. Chainstitch presser foot (Optional Accessory)